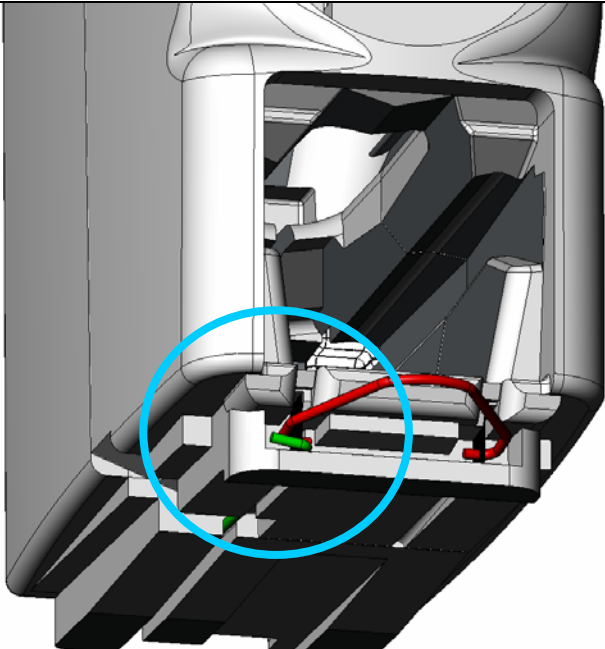


# FOOT PEDAL POSITIONING

The foot pedal (red) should be above the connector bar (green)



- To insert foot pedal bar:
- lift lid 45 degrees
  - push bar under lid at the slot area
  - close lid

